

# Cockpit Organizer

by

Rare Aviation

YOUR COCKPIT ORGANIZER PREFLIGHT BRIEFING

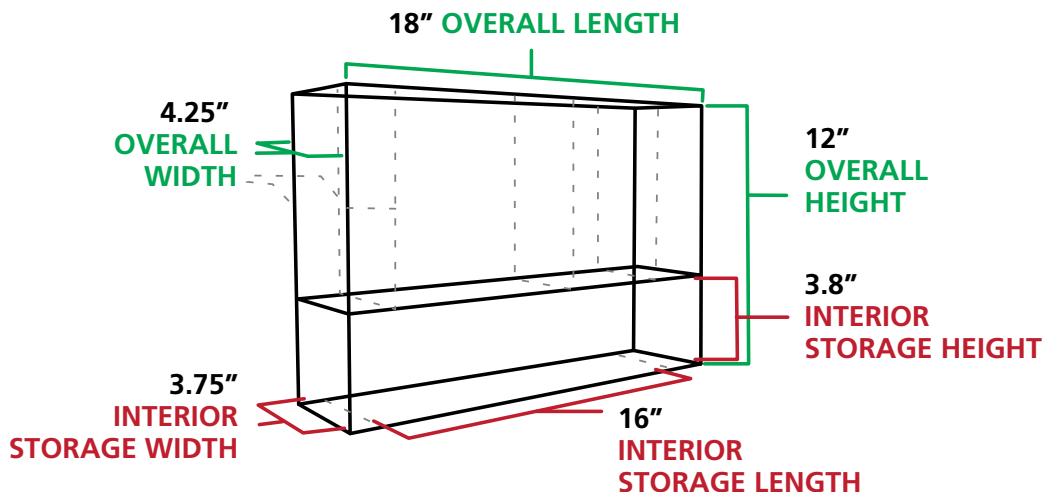
## Will the Cockpit Organizer Fit in my Aircraft?

Use this guide to confirm if the **Cockpit Organizer 182 model** by Rare Aviation will fit your Cessna 182, 205, 206, or 210 aircraft. Using the measurements, you can determine if the **Cockpit Organizer** can be used in a different type of aircraft as well.

### There are 2 Critical Areas to Confirm:

1

The bottom opening of the **Cockpit Organizer** is designed to fit over your fire extinguisher mounted to the floor. By referring to the diagram below and measuring your fire extinguisher, you can determine if yours is accommodated.



2

The **Cockpit Organizer** (4.25" wide) should fit snugly between the front seats.

**STEVE'S TIP:** You can secure the **Cockpit Organizer** by using velcro strips on the two 1" acrylic segments located on the base.

If you have any questions about fit, please contact me at [sales@rareaviation.com](mailto:sales@rareaviation.com).

Steve Rhode  
Chief Pilot, RareAviation.com